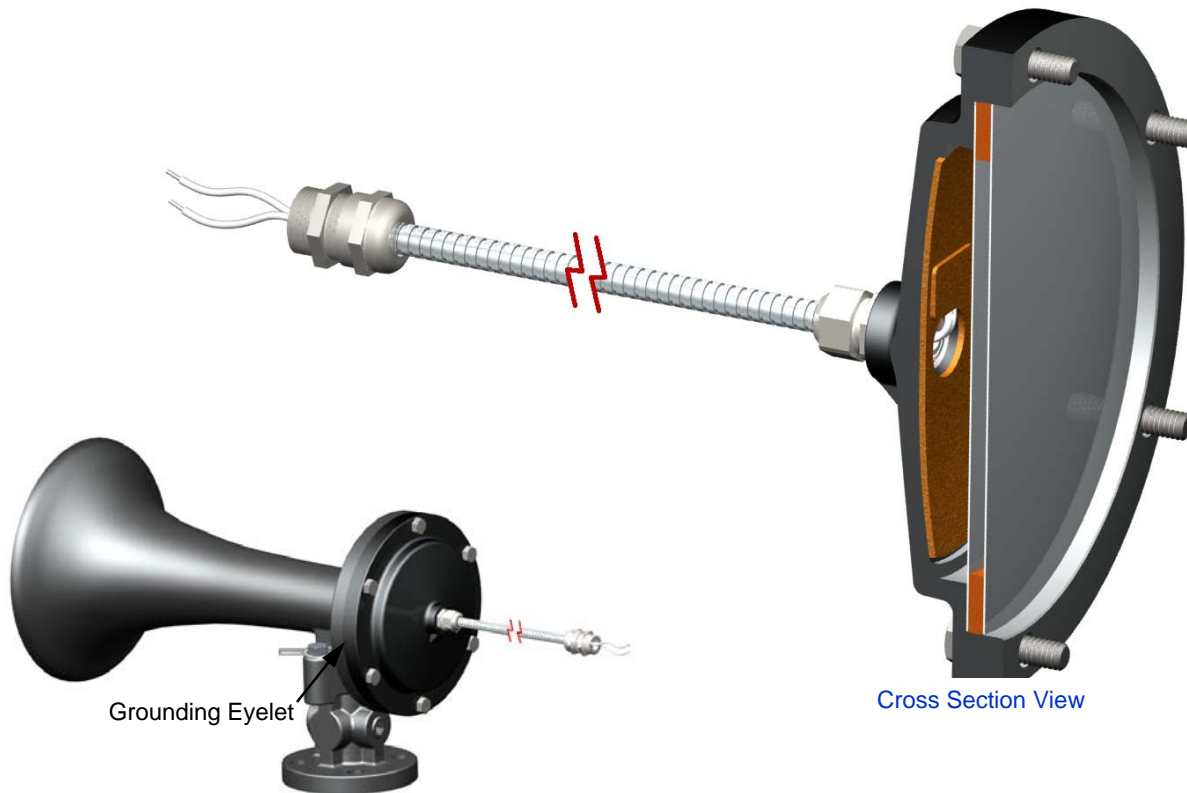


NATHAN AIRCHIME INC. (A MEMBER OF MICROPRECISION GROUP)
1102 WINDHAM ROAD, PO BOX 96, SOUTH WINDHAM, CT 06266, USA

Model HDC-110 Heated Diaphragm Cap Assembly

Universal Heater System for Airchime's K-Series Locomotive Air Horns



KS-2 with HDC-110
Shown for illustration purposes

- Ideal for under carriage mounting for locomotive applications.
- Internal heating system to prevent snow and ice build-up to minimize horn failure during severe winter conditions.
- Universal installation to fit all Airchime "K" series air horns.
- Quick and easy change over for horns already in service.
- Internal 50 Watt 110 Volt silicone rubber surface heater with 1.5 meter stainless steel armour cable.
- Durable, reliable and rugged design with sealed waterproof heating system. (IP 66)
- Other voltages and wattage's available upon request.

Kit 36750 Includes:

- Heater
- Diaphragm Cap
- Diaphragm Discs
- Cushion Ring
- Cap screws
- Armour Cable
- Liquid Tight Fittings
- Grounding Eyelet

Kit 36755 Includes:

- Heater
- Diaphragm Cap
- Armour Cable
- Liquid Tight Fittings
- Grounding Eyelet

DISTINCTION • SAFETY • RELIABILITY